

## MARPA for Lowrance HDS with BR24 RADAR (ROW)

Included in Radar bundle

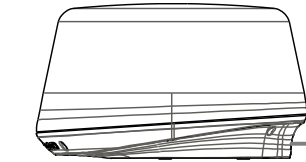
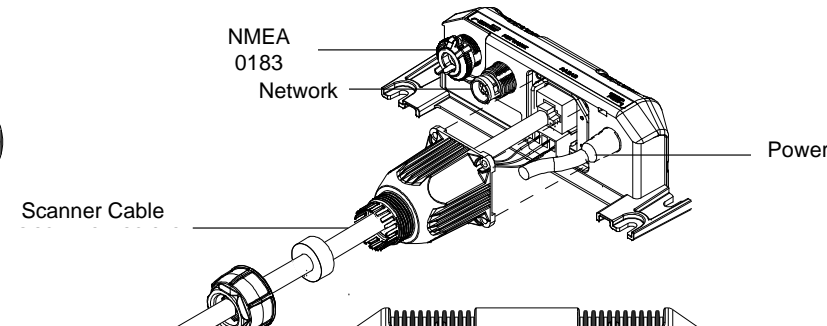
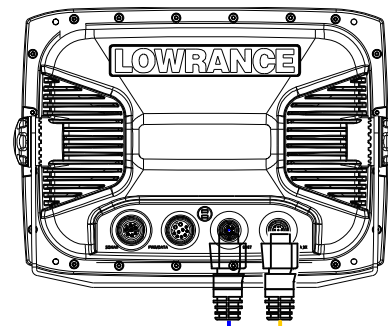
Not included in Radar bundle

BR24 (Non US) ships with the following AA010215

Scanner	RI11 Interface box AA010204	Scanner cable 10 m (32.8 ft) AA010211	Ethernet cable 2 m (6 ft) 000-0127-28

2

Network	
000-0127-28	Ethernet cable yellow 5 Pin 1.8 m (6 ft)
000-0127-51	Ethernet cable yellow 5 Pin 2 m (6.5 ft)
000-0127-29	Ethernet cable yellow 5 Pin 4.5 m (15 ft)
000-0127-30	Ethernet cable yellow 5 Pin 7.7 m (25 ft)
000-0127-37	Ethernet cable yellow 5 Pin 15.2 m (50 ft)
000-0127-56	Adapter cable: Ethernet Yellow 5 pin male to RJ45 female 2 m (6.5 ft)



3

Scanner cable	
AA010211	BR24 Scanner connection cable - 10 m (32.8 ft)
AA010212	BR24 Scanner connection cable - 20 m (65.6 ft)
AA010213	BR24 Scanner connection cable - 30 m (98.4 ft)

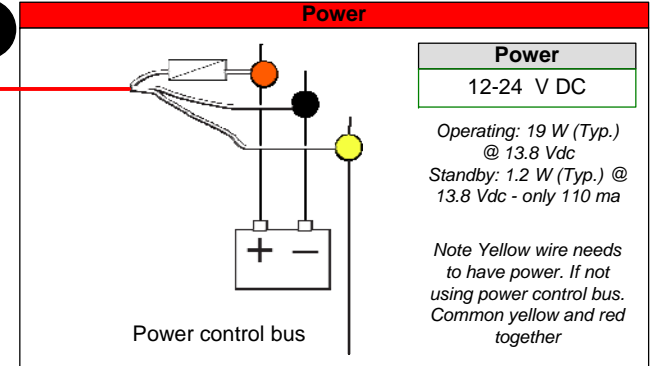
24006694 AT10HD NMEA0183 to SimNet Converter

1

2

3

4



1a

**NMEA 2000 Starter Kit - 000-0124-69**

Network starter kit. Includes 2 terminating resistors (TR-120M-RD, TR-120F-RD), two T-connectors (N2K-T-RD), one 2 ft extension cable (N2KEXT-2RD), and one 15 ft extension cable (N2KEXT-15RD), and a power node (N2K-PWR-RD).

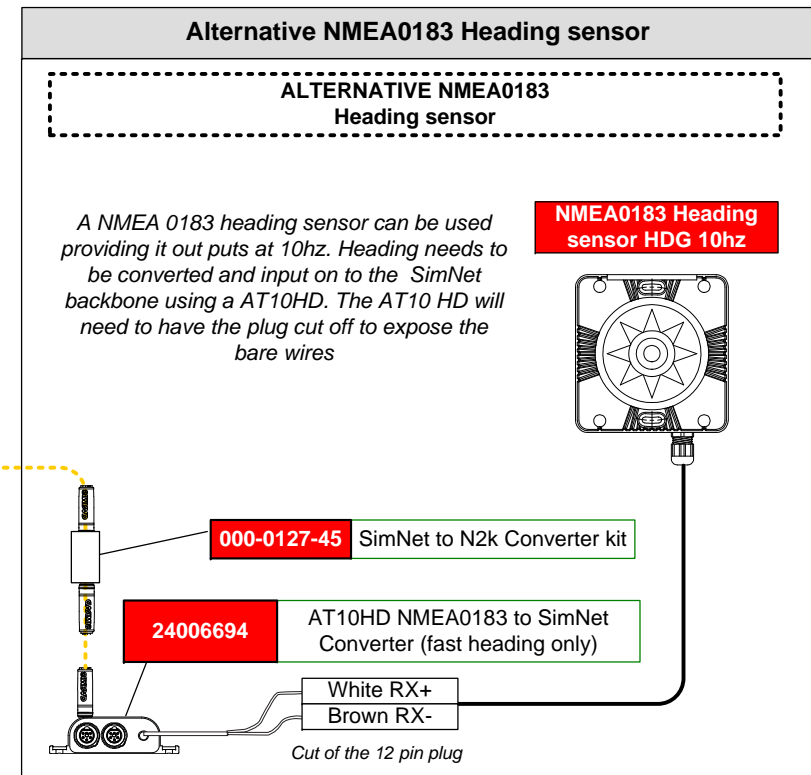
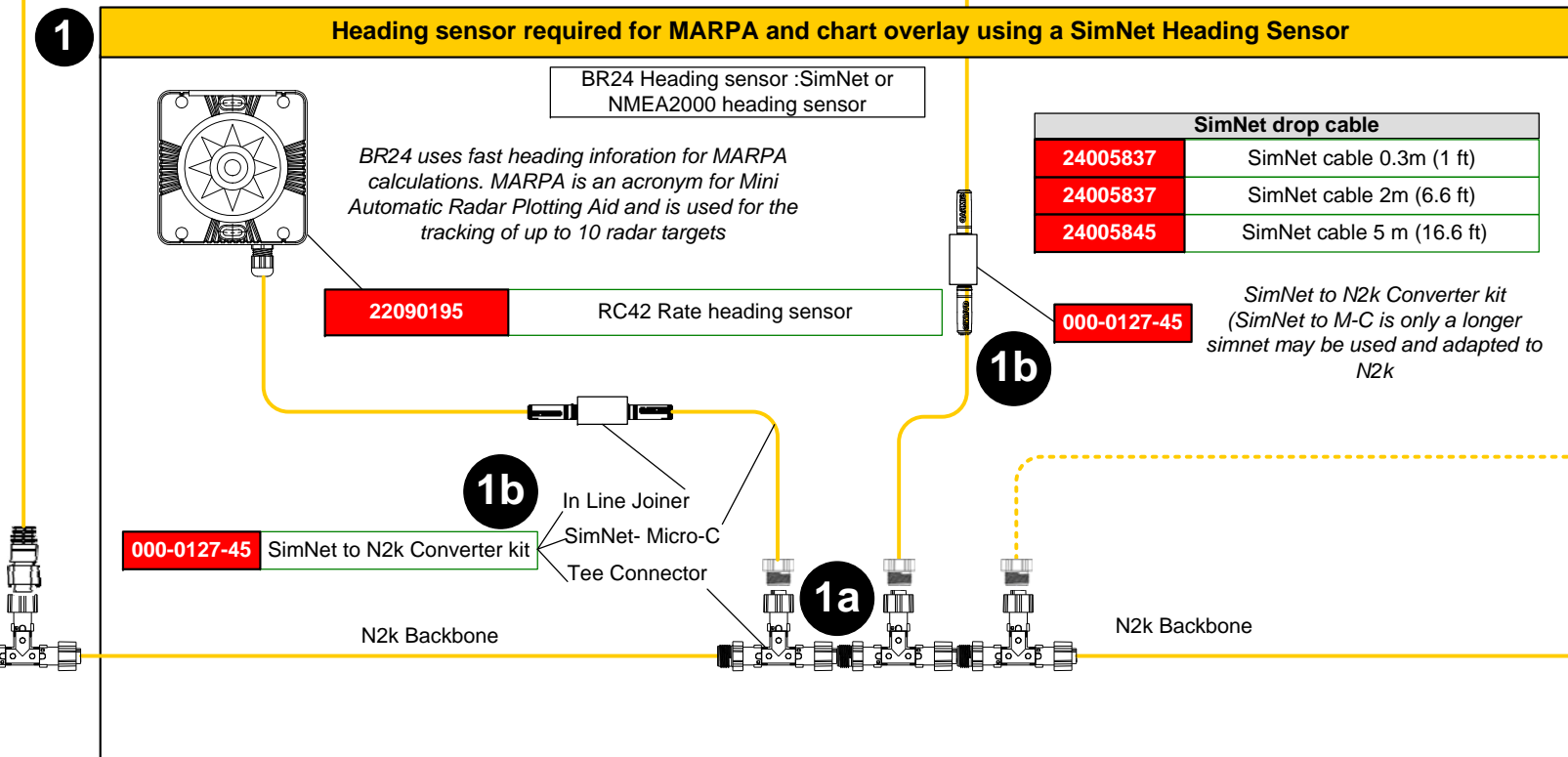
NMEA 2000 Extension Cables	
000-0119-88	N2KEXT-2RD 2ft
000-0125-53	N2KEXT-6RD 6ft
000-0119-86	N2KEXT-15RD 15ft
000-0119-83	N2KEXT-25RD 25ft

1b

**SimNet - N2k 000-0127-45**

SimNet to N2K Adaptor Kit - Connect Simrad heading sensor (RC42) to NMEA 2000 network; includes Simnet-to-N2k male adaptor, Simnet-2 Joiner, T connector.

For complete NMEA 2000 installation instructions please refer to <http://www.lowrance.com/en/Downloads/Manuals/NMEA-2000-Network-Installation-Manual/>



**Alternative NMEA0183 heading sensor**

**ALTERNATIVE NMEA0183 heading sensor**

A NMEA 0183 heading sensor can be used providing it outputs at 10hz. Heading needs to be converted and input on to the SimNet backbone using a AT10HD. The AT10 HD will need to have the plug cut off to expose the bare wires

**NMEA0183 heading sensor HDG 10hz**

000-0127-45 SimNet to N2k Converter kit

24006694 AT10HD NMEA0183 to SimNet Converter (fast heading only)

White RX+  
Brown RX-  
Cut of the 12 pin plug